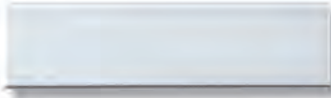


ANODIZED

Polished
Rose Gold



Polished Silver



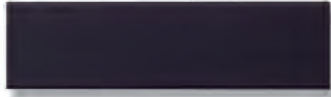
Polished
Yellow Gold



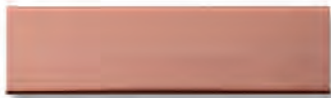
JRS Bronze



Matte Black



Satin
Rose Gold



Satin Silver



Arch Bronze



Satin
Yellow Gold



POWDER COAT

Pewter
Gray



Medium
Gray



Black



White



Almond



Arch
Brown



Brown



PLASTIC FRAME

Pewter
Gray



Black



Brown



Almond



White



Arch
Brown



Medium
Gray



All frames are meant for interior use with the exception of our Xterior Line.

TRADITIONAL *Nameplates and Sign Holders*

Traditional holders for desks, counters, walls and doors enhance the signs that serve you daily.

SECOND FLOOR

↑ ALLERGIES

→ CASHIER

→ LOBBY

← EXIT

↑ X-RAY

↑ PHYSICAL THERAPY

TOM VISOSKY

EMPLOYEES ONLY

Stock Room



**NO
SMOKING
PLEASE**

PARKER MUNCIE
Account Executive

Robert Cullen

Judy North
Principal

All Fees
Must Be Paid Upon
Receipt of Service

INFORMATION

RECEPTION

TELEPHONE

KARIN WEST

DESK HOLDERS

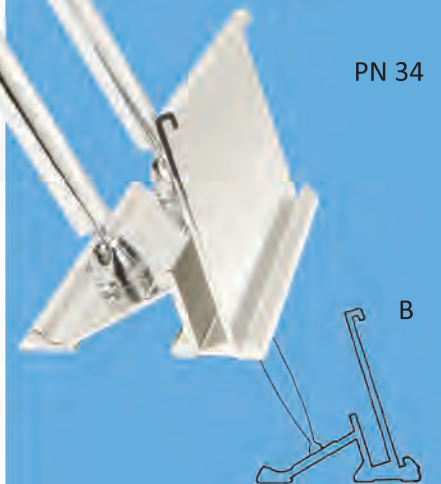
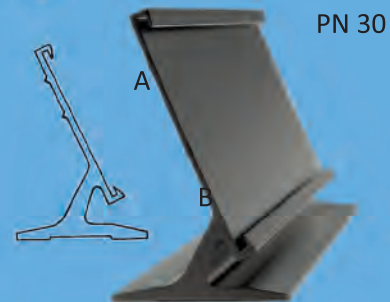
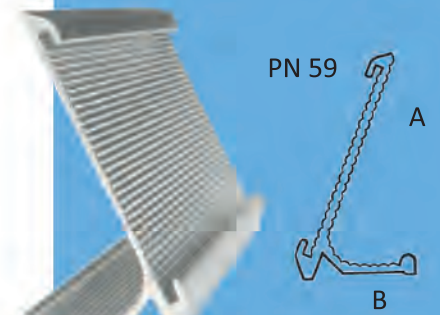
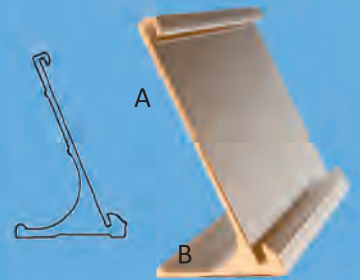
Sign holders for the desk are designed in many styles and sizes. Holders are highly polished and anodized in Polished Rose Gold or Polished Silver, enhancing any decor. Styles and sizes are indicated by part number and length. Custom lengths and three custom colors, Matte Black, Satin Silver and Polished Yellow Gold are available by special order at no extra cost. Arch Bronze, JRS Bronze, Satin Yellow Gold, and Satin Rose Gold are also available upon request for a 25% up charge and up to 5 week delivery.

Part No.	Insert Size		Available Lengths			
	A	B				
85	3/4"	1/16"	4"	6"	8"	10"
25	1"	1/16"	6"	7"	8"	10"
54	1 1/4"	1/16"	6"	7-1/2"	8"	10"
70	1 1/2"	1/16"	7-1/2"	8"	10"	
19	1 1/2"	1/8"	7-1/2"	8"	10"	
14	1 5/8"	1/16"	7-1/2"	8"	10"	
48	2"	1/16"	8"	10"	12"	
11	2"	1/8"	8"	10"	12"	
16	3 1/4"	1/8"	10"	12"		
483	2"	3/32"	8"	10"	12"	

Part No.	Insert Size		Available Lengths	
	A	B		
59	2"	1/16"	8"	10"

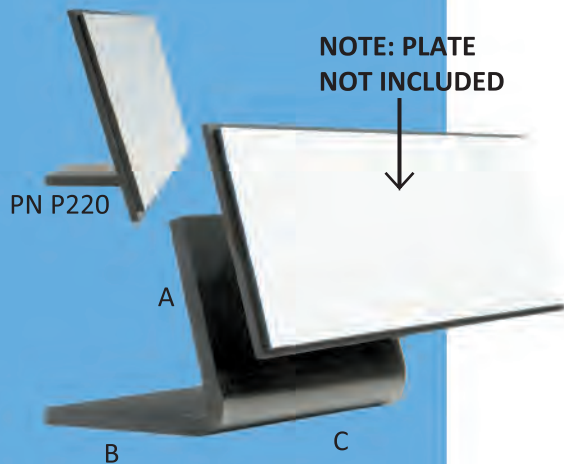
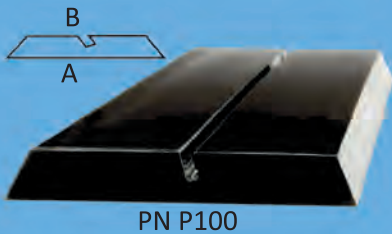
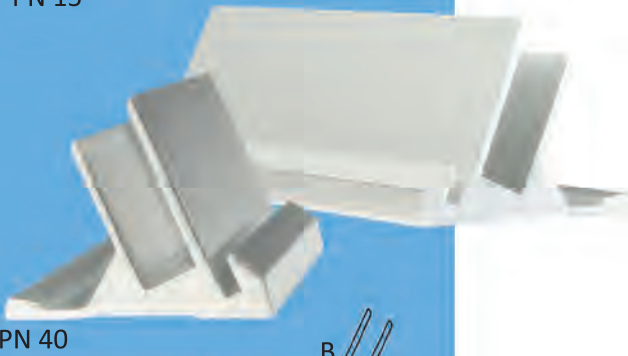
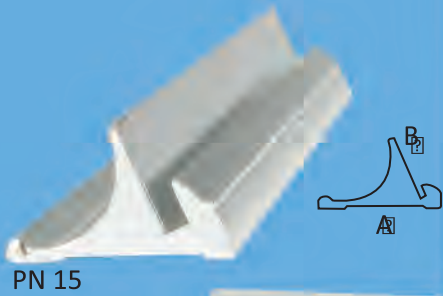
Part No.	Insert Size		Available Lengths	
	A	B		
31	1 1/2"	1/16"	8"	9"
30	2"	1/16"	8"	10"

Part No.	Insert Size		Available Lengths	
	A	B		
34	2"	1/16"	8"	10"



COUNTER & DESK BASES

Sign bases for the desk and counter are designed to support both small and large signs. Holders are highly polished and anodized in Polished Rose Gold or Polished Silver, enhancing any decor. Styles and sizes are indicated by part number and length.



Part No.	Size		Max. Sign Height	Available Lengths			
	A	B		6"	7 1/2"	8"	10"
15	3/4"	1/16"	2"	6"	7 1/2"	8"	10"
50	15/16"	1/16"	3"	6"	8"	10"	
97	1 7/16"	1/16"	7"	8"	10"	12"	
17	1 3/32"	1/8"	4"	8"	10"	12"	
55	2 1/2"	1/8"	8"	8"	10"	12"	

A = Base Width B = Material Thickness

Part No.	Size		Max. Sign Height	Available Lengths			
	A	B		3/34"	5"	8"	10"
40	1 1/4"	1/16"	3"	3/34"	5"	8"	10"

A = Base Width B = Material Thickness

Part No.	Size		Max. Sign Height	Available Lengths			
	A	B		6"	8"	10"	12"
35	1 1/4"	1/16"	6"	6"	8"	10"	
42	1 1/4"	1/8"	6"	6"	8"	10"	
22	2 1/2"	1/8"	12"	6"	8"	10"	12"
39	1 1/4"	3/32"	6"	6"	8"	10"	

A = Base Width B = Material Thickness

Part No.	Size		Max. Sign Height	Available Lengths	
	A	B		8"	10"
P100	2"	1/16"	6"	8"	10"

Available in clear, aqua, green mist or black. Custom colors available.

Part No.	Size		
	A	B	C
P220	1 1/8"	1 1/8"	2 5/16"

Available in black only.

Custom lengths are available with the exception of P220.

WALL & CORRIDOR BRACKETS

Sign holders for the door or wall are available in many stock sizes and lengths. Holders are highly polished and anodized in Polished Rose Gold or Polished Silver, enhancing any decor. Styles and sizes are indicated by part number and length.

Mounting holes are standard in all insert sizes from 1 1/4" to 4". Holders are also available in Raw Aluminium finish. When ordered Raw, holes are NOT standard and must be requested. Holes are available on parts 24" - 36" in length for an added charge.

A 36" length is provided without holes in the styles and sizes below for your custom sign requirements. There is a minimum of five 36" lengths per order in any size combination.

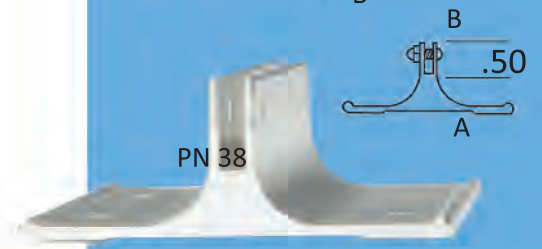
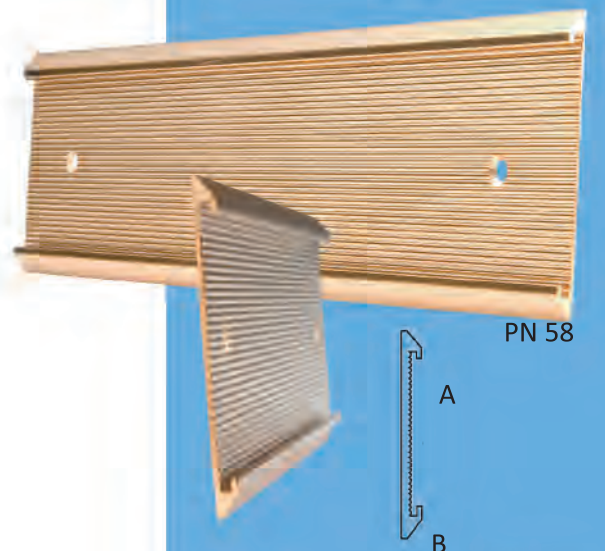
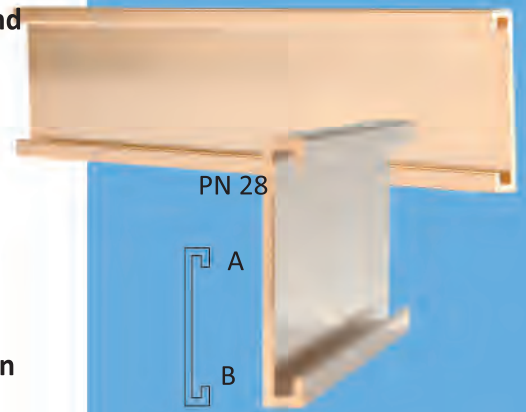
Part No.	Size		Available Lengths					
	A	B	4"	6"	8"	10"	12"	36"
86	1/2"	1/16"	4"	6"	8"	10"	12"	36"
100	5/8"	1/16"	4"	6"	8"	10"	12"	36"
44	3/4"	1/16"	4"	6"	8"	10"	12"	36"
28	1"	1/16"	4"	6"	8"	10"	12"	36"
47	1 1/4"	1/16"	4"	6"	8"	10"	12"	36"
29	1 1/2"	1/16"	4"	6"	8"	10"	12"	36"
95	1 1/2"	1/8"	4"	6"	8"	10"	12"	36"
46	1 5/8"	1/16"	4"	6"	8"	10"	12"	36"
87	1 3/4"	1/16"	4"	6"	8"	10"	12"	36"
88	1 3/4"	1/8"	4"	6"	8"	10"	12"	36"
36	2"	1/16"	4"	6"	8"	10"	12"	36"
94	2"	1/16"	4"	6"	8"	10"	12"	36"
89	2 1/2"	1/16"	4"	6"	8"	10"	12"	36"
90	2 1/2"	1/8"	4"	6"	8"	10"	12"	36"
37	3"	1/16"	4"	6"	8"	10"	12"	36"
52	3"	1/8"	4"	6"	8"	10"	12"	36"
49	4"	1/16"	4"	6"	8"	10"	12"	36"
51	4"	1/8"	4"	6"	8"	10"	12"	36"
363	2"	3/32"	4"	6"	8"	10"	12"	36"

Part No.	Size		Available Lengths			
	A	B	4"	6"	8"	36"
56	1"	1/16"	4"	6"	8"	36"
57	1 1/2"	1/16"	6"	8"	10"	36"
58	2"	1/16"	8"	10"	12"	36"

Angled Top Holders

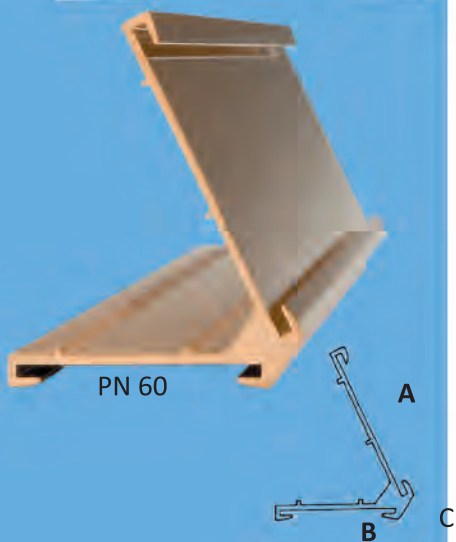
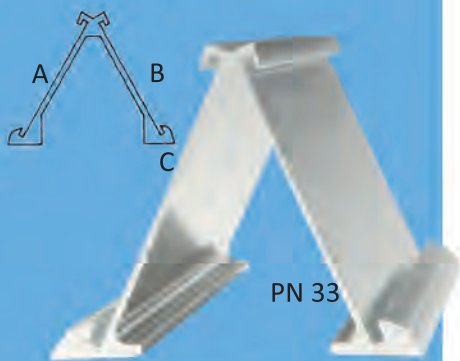
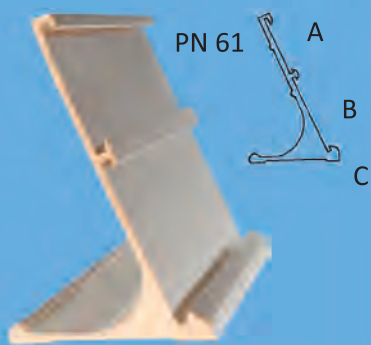
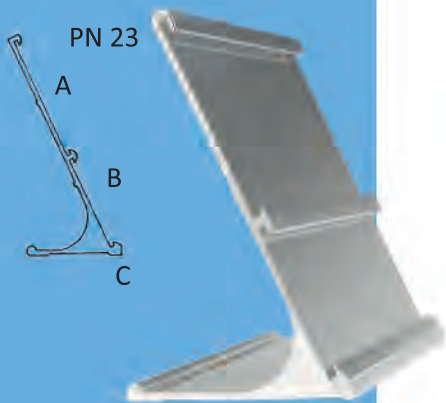
Part No.	Size		Available Lengths						
	A	B	2"	3"	4"	5"	10"	12"	36"
38	2 1/2"	1/8"	2"	3"	4"	5"	10"	12"	36"

Screws available in BG, BS, BL.



MULTIPLE SIGN HOLDERS

Sign holders for double signs or multiple uses are designed in various styles and sizes. Holders are highly polished and anodized in Polished Rose Gold or Polished Silver, enhancing any decor. Styles and sizes are indicated by part number and length.



Part No.	Size			Available Lengths		
	A	B	C			
23	2"	1 1/2"	1/16"	9"	10"	12"

Part No.	Size			Available Lengths	
	A	B	C		
61	1"	1 1/4"	1/16"	8"	10"

Part No.	Size			Available Lengths		
	A	B	C			
71	1 1/4"	1 1/4"	1/16"	6"	8"	10"
33	2"	2"	1/16"	8"	10"	

Part No.	Size			Available Lengths	
	A	B	C		
60	2"	1 1/2"	1/16"	8"	10"

Custom lengths are available.

MULTIPLE WALL BRACKET

Sign holders for multiple signs are designed to be used as individual signs or stacked on top of one another to form mini-directories. The special beveled edges insure a finished look with endless combinations. Holders are highly polished and anodized in Polished Rose Gold or Polished Silver, enhancing any decor. Styles and sizes are indicated by part number and length.

Part No.	A	Size B	C	Available Lengths			
115	2"	1"	1/16"	6"	8"	10"	36"
107	1 1/2"	1"	1/16"	6"	8"	10"	36"
108	1 1/4"	3/4"	1/16"	6"	8"	10"	36"

Part No.	A	B	Size C	D	Available Lengths			
106	1"	1"	1"	1/16"	6"	8"	10"	36"
112	1 1/2"	1 1/2"	1 1/2"	1/16"	6"	8"	10"	36"
109	3/4"	3/4"	3/4"	1/16"	6"	8"	10"	36"

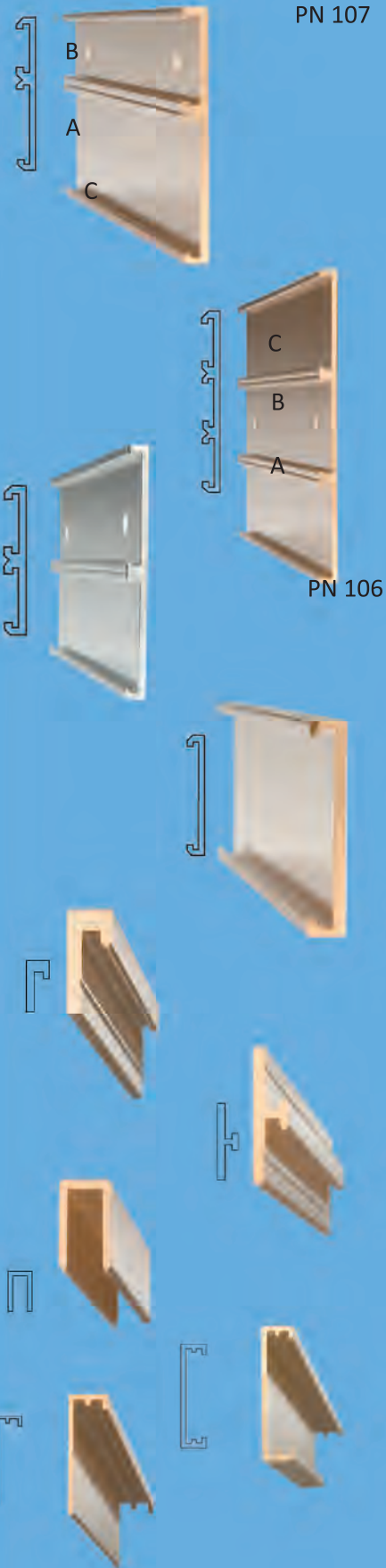
Part No.	A	Size B	C	Available Lengths			
104	1"	1"	1/16"	6"	8"	10"	36"
110	3/4"	3/4"	1/16"	6"	8"	10"	36"

Part No.	A	Size B	Available Lengths			
103	1"	1/16"	6"	8"	10"	36"
114	3/4"	1/16"	6"	8"	10"	36"
116	1 1/2"	1/16"	6"	8"	10"	36"
117	2"	1/16"	6"	8"	10"	36"
118	3"	1/16"	6"	8"	10"	36"

No holes on Part Nos. 103 & 114

Extruded moldings and dividers for your custom sign requirements are available in 36" lengths.

Part No.	Insert Size	Lengths	Description
75	1/16"	36"	J Molding
83	1/8"	36"	J Molding
76	1/16"	36"	Divider ▶
84	1/8"	36"	Divider ▶
27	1/8"	36"	See Image ▶
78	1/16"	36"	See Image
77	1/16"	36"	See Image



FLEX FRAMES

Tamper Resistant Sign Frames

Attractive, functional and flexible, FLEX is a tamper resistant sign frame option that can be utilized for virtually any interior signage application. Square side rails with finished ends use a mix of our wall brackets that slide into the rails and are secured with a setscrew combination offering a wide range of signage options while maintaining ease of maintenance and changeability. FLEX can be mounted using magnets inside of our other frame systems* to make simple personnel signs or directories. Available in 5 anodized colors: **SATIN SILVER, POLISHED SILVER, MATTE BLACK, POLISHED YELLOW GOLD AND POLISHED ROSE GOLD.**



This line is manufactured with a 3/16" ABS backing and comes as a flush wall mount. Screw holes available by request. Magnetic metal backing can also be requested.

HUMAN RESOURCES	
CAMERON MEYER	C122
MICAELA SMITH-LAMB	C123
JESSE PELLEGRINO	C124
KYLE HANSON	C125
AUSTIN TAYLOR	C126
DAVE GRIFFITTS	C127

CLIFFORD STENDER, LMFT
KELLY WALLACE, LMFT
LIZ THOMPSON, MA, Ph.D.

<i>Design Team</i>
<i>Kristin Meyer, P.E.</i>
<i>Ashley Finkbiner, P.E.</i>
<i>Richard Jacobson, P.E.</i>

Technical information:

- > Square Rail: 3/16" face width and 1/2" outside depth
- > Designed to accomodate 1/16" material
- > Uses 3/16 ABS backer
- > Mounting holes available if requested
- > Max rail length = 39"

Installation:

- > Frames are designed for mounting with double-sided tape, silicone adhesive or mounting holes. Holes are provided by request only.
- > FLEX can be mounted using magnets inside of our other frame systems* to make simple personnel signs or directories.

Applications:

- > Room Identification
- > Directional signage/directories
- > Personal ID signs
- > Departmental ID signs
- > A solution for banks, financial institutions, call centers, office facilities, hospitals, schools, colleges and libraries.

***USES A 5/64" ALLEN WRENCH - NOT INCLUDED**

PREMIER FRAMES



**Desks models
are available.**

1/2" beveled, radiuses and boxed are precision mitered from aluminium alloy.



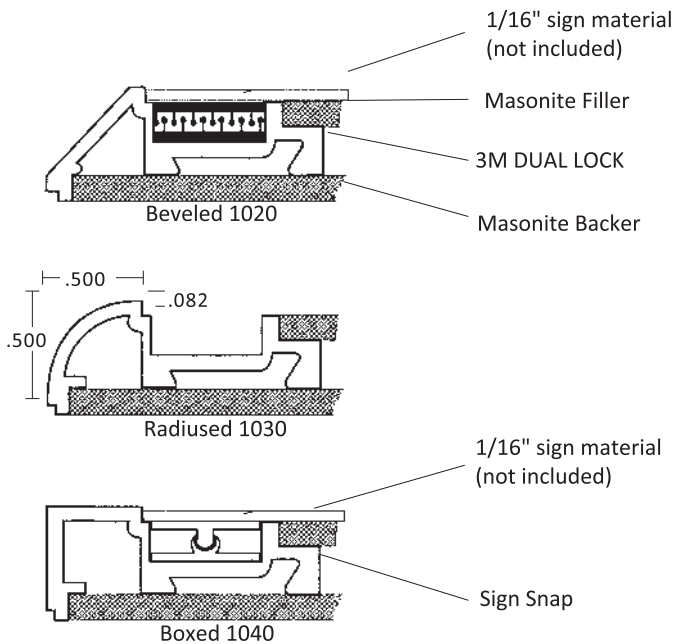
Premier frames are precision mitered from a premier aluminium alloy in different styles - 1/2" beveled, radius and boxed. Each style is available in **POLISHED SILVER, POLISHED YELLOW GOLD, POLISHED ROSE GOLD, SATIN SILVER, MATTE BLACK, SATIN YELLOW GOLD, SATIN ROSE GOLD, ARCH BRONZE AND JRS BRONZE.**



PREMIER FRAMES

Precision mitered from an extrusion of premium alloy in three professional styles - Beveled, Radiused, and Boxed - makes this sign system a top of the line favorite. Each style has several features that make professional signs simple:

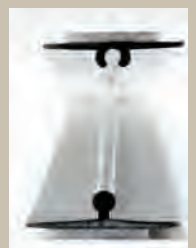
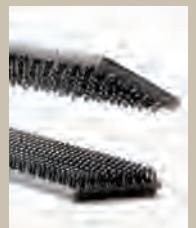
- > Each frame is designed for complete support of 1/16" sign material.
- > Nine rich anodized colors are available in three styles: Polished Silver, Satin Silver, Polished Yellow Gold, Satin Yellow Gold, Polished Rose Gold, Satin Rose Gold, Matte Black, Arch Bronze and JRS Bronze.
- > Minimum size 2" x 4". Maximum size 36" x 36".
- > A trough 1/2" wide runs the entire inside perimeter of each frame which accomadates adhesive-backed 3M DUAL LOCK or Sign Snap so that a tamper-resistant plate snaps in and out with the use of a suction cup.
- > Frames are designed for mounting to wall or door with double-sided tape or silicone-type adhesive. Holes will be provided upon request at no extra charge.
- > Powder Coat finishes available.



Premier cannot accomadate a lens. Please see Premier Plus.



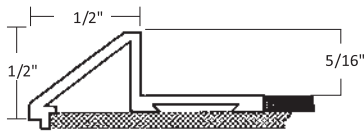
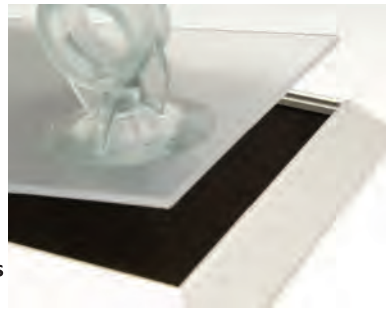
ACCESSORIES



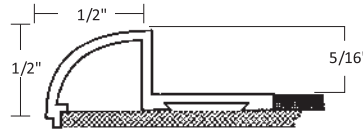
PREMIER PLUS

Precision mitered from an extrusion of premium alloy in three professional styles - Beveled, Quarter Round, Boxed, and Quarter Inch Solid, this sign system is a top of the line favorite.

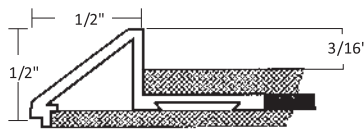
- > Nine rich anodized colors are available in four styles: Polished Silver, Satin Silver, Polished Yellow Gold, Satin Yellow Gold, Polished Rose Gold, Satin Rose Gold, Matte Black, Arch Bronze and JRS Bronze.
- > Seven powder coat finishes are available: Medium Gray, Pewter (light gray), Black, White, Almond, Brown, JRS Bronze and Arch Brown. Lenses not available with powder coat finishes.
- > Each frame style is available with either a 3/16" or 5/16" inside depth. Inside depth must be specified when ordering.
- > Frames are designed for mounting with double-sided tape or silicone adhesives. Holes will be provided only upon request.
- > All frames are available with optional matte black metal inside, suitable for changeable magnetic signs for an additional price.
- > Lenses are laser cut from semi-flexible .060 or .080 non glare acrylic and are designed with tabs that snap securely into frames.
- > Lenses can easily be removed by using a suction cup placed in the center of the frame. Maximum lens size is 200sq inches.
- > Minimum size 2" x 4", Maximum size 36" x 36" for frames and dividers.



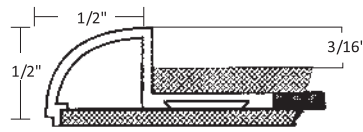
2020 Beveled



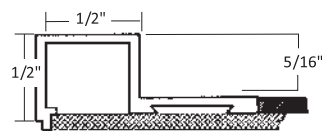
2030 Quarter Round



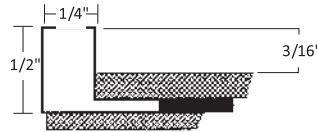
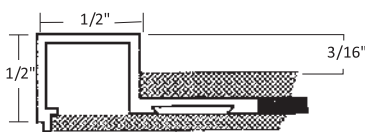
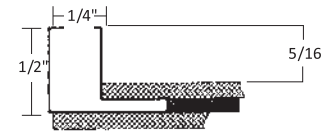
2040 Boxed



2050 Quarter Inch Solid

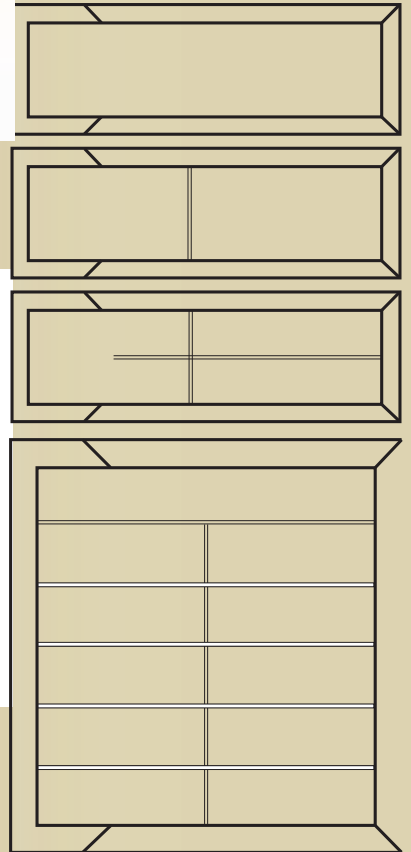


Masonite



Please specify part number, inside dimension, inside depth, and color.

Premier Plus Frames are available with standard 1/8" or custom 1/4" dividers in vertical or horizontal positions. Divided frames should be ordered by giving the inside dimension of each section and the overall inside dimension of the frame.

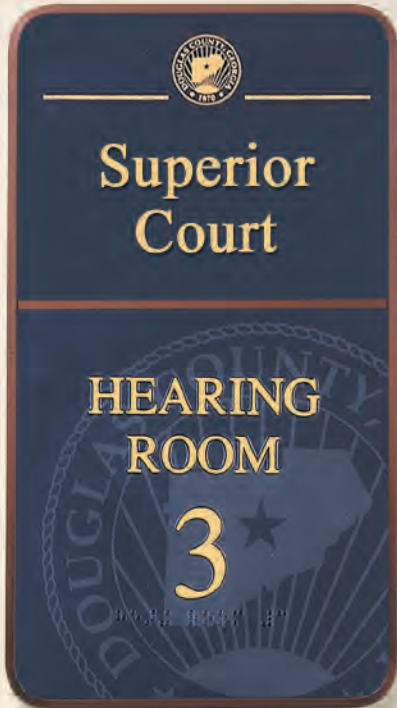


- 2" divider minimum

- 1/8" standard divider on all frames except quarter inch solid

- 1/4" standard divider for quarter inch solid

ARCHITECTURAL ALUMINIUM FRAMES



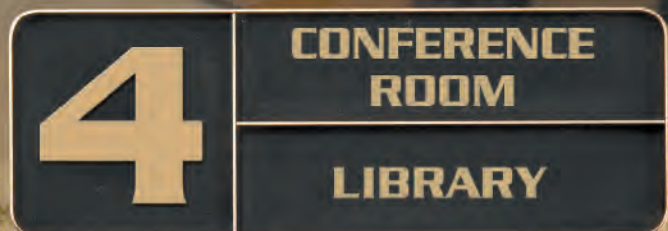
Specialty requirements for room identification and control are accomplished with these unique frames. They feature built-in changeable messages, magnetic changeable signs and frames with dividers. Frames are fabricated from continuous anodized aluminium extrusion in nine standard colors: **POLISHED SILVER, POLISHED YELLOW GOLD, POLISHED ROSE GOLD, SATIN SILVER, MATTE BLACK, JRS BRONZE, SATIN ROSE GOLD, SATIN YELLOW GOLD, AND ARCH BRONZE.**



Magnetic backed plates are easily changed.



Changeable message signs have a plate that slides from left to right uncovering changing message.



ARCHITECTURAL ALUMINIUM FRAMES

Architectural Aluminium Frames are custom fabricated to your specifications based on the inside dimension of the frame. Custom Wall Frames, Frames with Dividers, Desk Frames, Counter Frames, Corridor and Ceiling Frames are all available with:

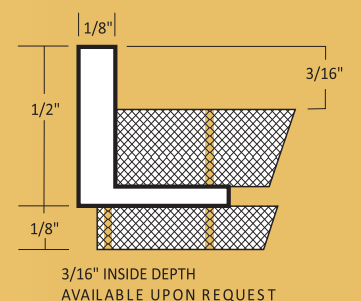
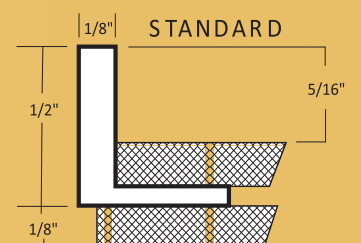
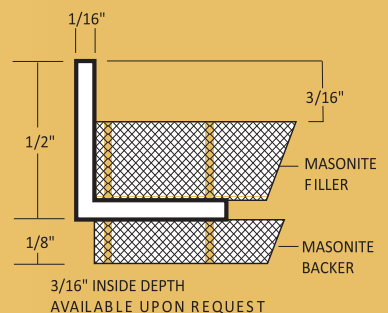
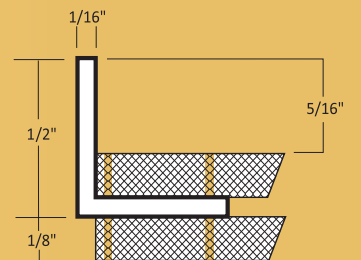
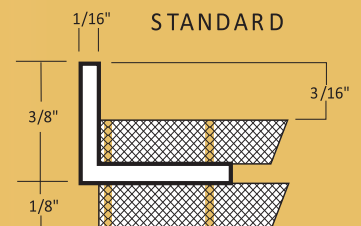
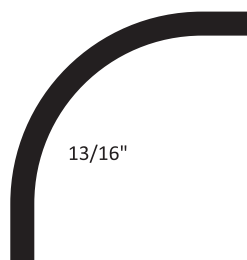
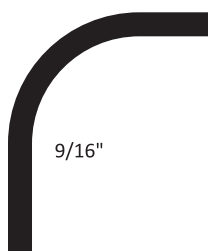
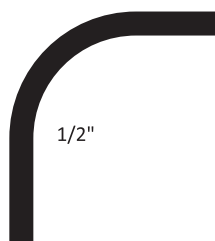
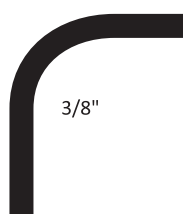
- > Nine anodized finishes: Polished Rose Gold, Polished Yellow Gold, Polished Silver, Arch Bronze, JRS Bronze, Matte Black, Satin Rose Gold, Satin Yellow Gold, and Satin Silver.
- > Seven handsome powder coat finishes: Medium Gray, Pewter (light gray), Black, White, Almond, Brown and Arch Brown.
- > Available with a Matte Black inside metal surface for changeable magnetic signs for a additional charge.
- > 1/16" Wall Thickness: Part number 240 square corner and 340 round corner frames are available with either a 3/8" or 1/2" outside depth plus a 1/8" backer plate. If no outside depth is specified, we will make the frames using the standard 3/8" outside depth. Frames without backer plates are available by request.

The inside depth (distance from surface of frame to inside masonite) is 3/16" for 3/8" frame and 5/16" for 1/2" frame. 3/16" depth is available by request for the 1/2" frame. Please refer to the illustrations on this page for further details.

- > 1/8" Wall Thickness: Part number 540 square corner and 640 round corner frames are available with a 1/2" outside depth plus a 1/8" backer plate. Frames without backers plates are available by request.

The inside depth (distance from surface of frame to inside masonite) is 5/16" . 3/16" depth is available by request. Please refer to the illustrations on this page for further details.

- > Four radius corners: Inside dimensions 3/8", 1/2", 9/16", and 13/16". Unless other wise specified we will make all radius frames with a standard 3/8" corner.



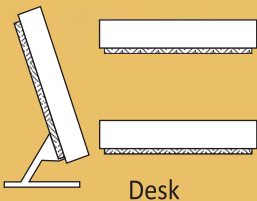
ARCHITECTURAL ALUMINIUM FRAMES

Architectural Aluminium Frames are custom fabricated from aluminium extrusion from 1/16" or 1/8" wall thickness to your custom size requirements.

- > Frames are available in nine anodized finishes: Polished Rose Gold, Polished Yellow Gold, Polished Silver, Arch Bronze, JRS Bronze, Matte Black, Satin Rose Gold, Satin Yellow Gold, and Satin Silver.
- > Seven powder coat colors: Medium Gray, Pewter (light gray), Black, White, Almond, Brown and Arch Brown. Powder coat finish frames must have backs.
- > Please specify part number, inside dimension, outside depth, inside depth, and color.
- > All frames are available with optional matte black metal inside suitable for changeable magnetic signs. Black plastic is also available inside and outside instead of masonite.
- > Lead time may vary for special colors on desk, counter, corridor and ceiling.



Door
or Wall



Desk

DOOR OR WALL

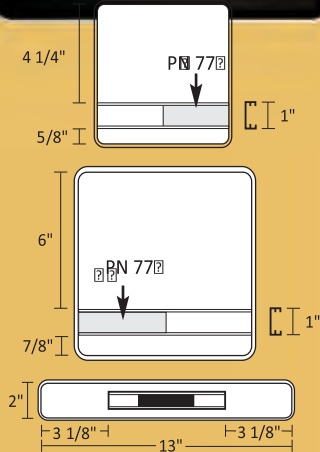
Part No.	Wall Thickness	Corner ID	Frame Depth
340	1/16"	Round(3/8" , 1/2", 9/16", 13/16")	3/8" or 1/2"
240	1/16"	Square	3/8" or 1/2"
640	1/8"	Round(3/8" , 1/2", 9/16", 13/16")	1/2"
540	1/8"	Square	1/2"

DESK

Part No.	Wall Thickness	Corner ID	Frame Depth
311	1/16"	Round(3/8" , 1/2", 9/16", 13/16")	3/8" or 1/2"
211	1/16"	Square	3/8" or 1/2"
611	1/8"	Round(3/8" , 1/2", 9/16", 13/16")	1/2"
511	1/8"	Square	1/2"

Maximum sign height 4".
Standard size listed in bold.

ARCHITECTURAL ALUMINIUM FRAMES



CHANGEABLE MESSAGE FRAMES

Special requirements for room control and identification are accomplished with these unique frames of anodized aluminium.

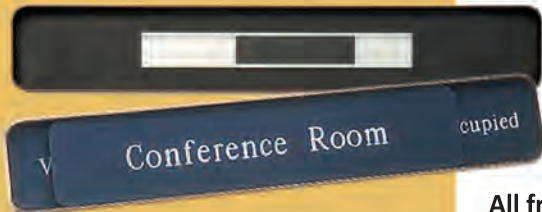
- > Both 1/16" wall and 1/8" wall frames have 1/2" outside depth plus 1/8" backer and 3/16" inside depth.
- > Frames sizes are all inside dimensions.
- > Nine standard colors: Polished Yellow Gold, Polished Silver, Matte Black, Satin Silver, Arch Bronze, JRS Bronze, Polished Rose Gold, Satin Rose Gold and Satin Yellow Gold.
- > All frames on this page are available in custom sizes.

> 6" x 6" frame containing a 1" x 6" extrusion for a 1/16" message plate and a secondary 1/16" slot for a 1" x 3" sliding plate to uncover alternating messages.

> 8" x 8" frame containing a 1" x 8" extrusion for a 1/16" message plate and a secondary 1/16" slot for a 1" x 4" sliding plate to uncover alternating messages.

> 2" x 13" Slider Frame is designed for 2" x 10" message plates to slide left or right to expose message at opposite end.

	3/8" Inside Radius Corner	Square Corner
6" x 6"		
1/16" wall	341-66	241-66
1/8" wall	641-66	541-66
8" x 8"		
1/16" wall	341-88	241-88
1/8" wall	641-88	541-88
2" x 13"		
1/16" wall	344-23	244-23
1/8" wall	644-23	544-23



DIVIDED FRAMES AND MINI-DIRECTORIES

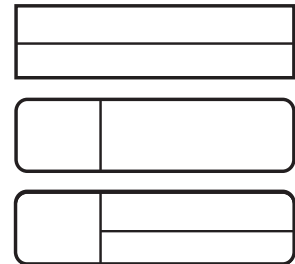
All frames are available with dividers in either horizontal, vertical, or both horizontal and vertical positions. These frames must have a backer plate.

Divider frames should be ordered by giving the inside dimension of each section. Overall frame size is increased by the thickness of each divider within the frame.

> 6" x 6" Mini-Directory features a one piece magnetic backed extrusion with six 1/2" x 6" slots for easy plate changes.

> 8" x 8" Mini-Directory features a one piece magnetic backed extrusion with seven 5/8" x 8" slots for easy plate changes.

Divider Frames

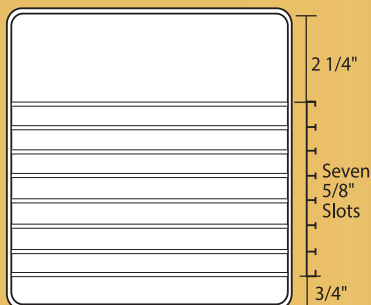
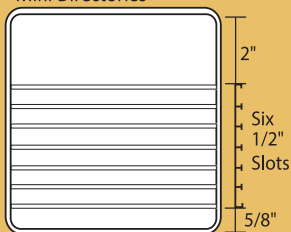


Mini- Directories

	3/8" Inside Radius Corner	Square Corner
6" x 6"		
1/16" wall	342-66	242-66
1/8" wall	642-66	542-66
8" x 8"		
1/16" wall	343-88	243-88
1/8" wall	643-88	543-88

All frames made to order. Non-returnable.

Divided Frames and Mini Directories



ARCHITECTURAL ALUMINIUM FRAMES



CUSTOM SHAPED FRAMES

Circles, Triangles, Ovals, Half Round Directories and more are available in our 300 (1/16" wall) or 600 (1/8" wall) Aluminum Extrusion Frames. Frames with custom shapes with or without dividers are fabricated to your specifications in all of our standard anodized and powder coat finishes.

All frames made to order. Non returnable.

HEAVY ARCHITECTURAL SIGNAGE

This line of frames is fabricated from a heavy 1/8" thick wall and 1 3/4" or 1 1/4" wide extrusions. They can be used either as a double or single sided frame for counters, desks or walls. All frames are custom fabricated to your specifications. Sharp clean square corners are fabricated from continuous extrusion.

- Frames are available in nine anodized finishes: Polished Rose Gold, Polished Yellow Gold, Polished Silver, Arch Bronze, JRS Bronze, Matte Black, Satin Silver, Satin Rose Gold and Satin Yellow Gold.
- Not available in Powder Coat finishes.
- All frames are available with optional Matte Black metal inside suitable for changeable magnetic signs
- Please specify part number, inside dimension, inside depth, and color.
- Approximate max 70 perimeter inches. Approximate minimum 2".

Part No.	Frame Thickness	Inside Depth
932D Double Sided	1 3/4"	5/16"
932S Single Sided	1 3/4"	5/16"
942D Double Sided	1 1/4"	5/16"
942S Single Sided	1 1/4"	5/16"

